

pöllö 
Prime Series

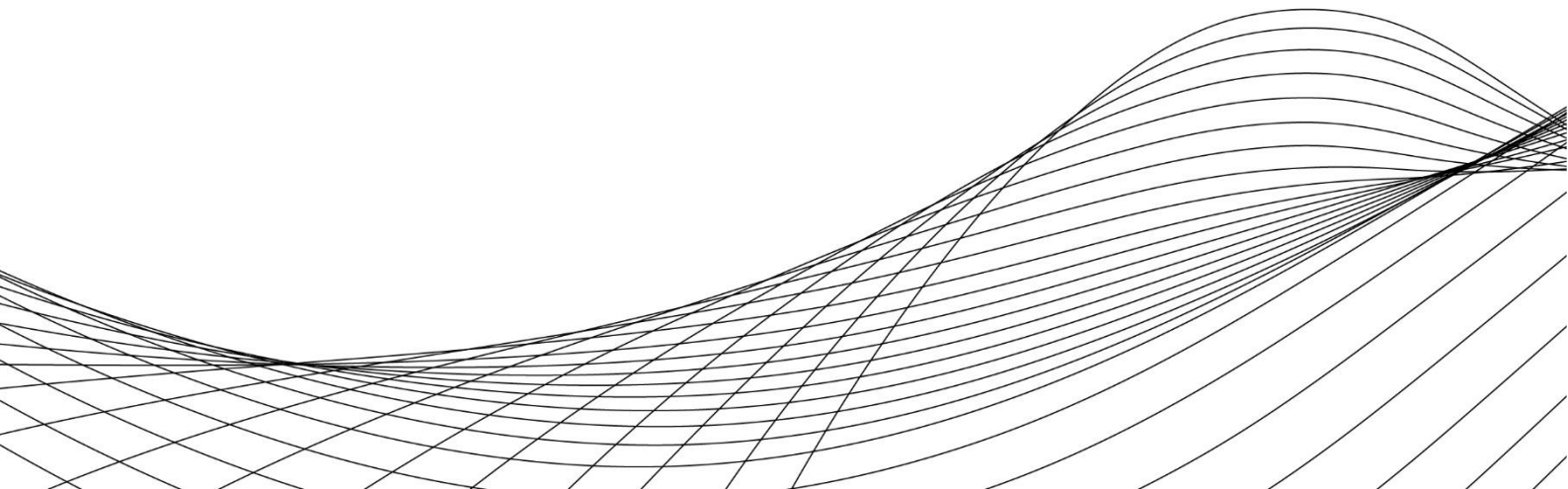
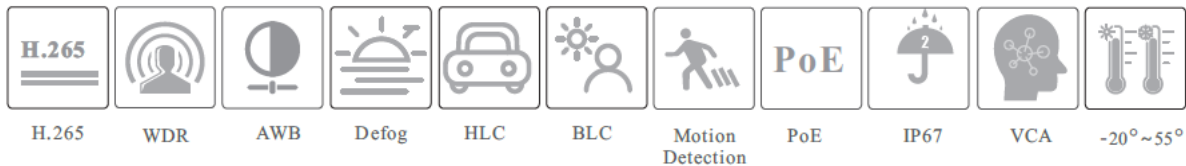


4MP FULL COLOUR IP CAMERA

PLC-424P-AU-WR3PM

www.pollo.net.au

info@pollo.net.au

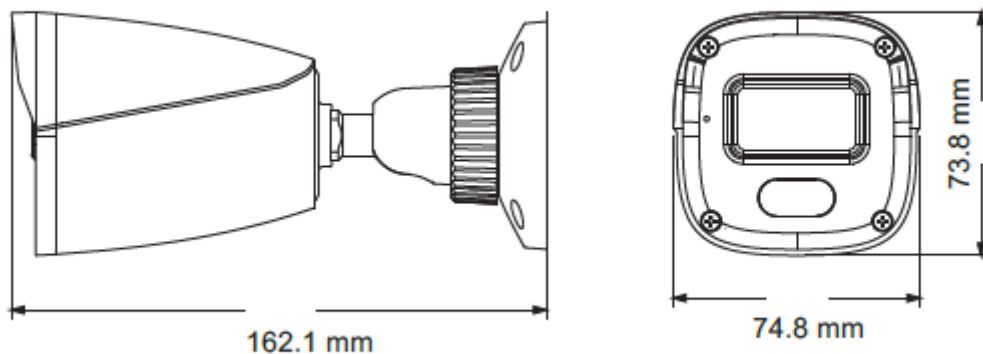


Key Features:

- ✔ 4MP (2560 × 1440) H.265 coding.
- ✔ Max. resolution: 2560 1440.
- ✔ ICR auto switch, true day / night, ROI coding.
- ✔ 3D DNR, digital WDR, HLC, BLC, defog.
- ✔ 20~ 30m white light view distance
- ✔ 24/7 full colour imaging
- ✔ 1CH built-in MIC
- ✔ DC12V/PoE power supply.
- ✔ P2P function optional.
- ✔ IP 67 ingress protection.
- ✔ Support three streams.
- ✔ Support mobile surveillance by smart phones with iOS and Android OS.
- ✔ Intelligent analytics: object removal detection, abnormal video signal detection, line crossing detection and region intrusion detection.



Dimensions:





Specifications:

Model	PLC-424P-AU-WR3/PM
Image Sensor	1 / 2.7 "CMOS
Image Size	2560×1440
Electronic Shutter	1 s ~ 1 / 100000 s
Iris Type	Fixed Iris
Min. Illumination	0.002 lux@ F1.0, AGC ON; 0 lux with LED ON
Lens	3.6 mm @F2.2, (fixed lens), horizontal field of view: 89°
Focus	Fixed
Lens Mount	M12
Wide Dynamic Range	Digital WDR
BLC	Yes
HLC	Yes
Defog	Yes
Digital NR	3D DNR
Angle Adjustment	Pan: 0°~360°; Tilt:0°~80°; Rotation: 0°~360°
Video Compression	H.265 / H.264
H.265 Compression Standard	Main Profile@Leve4.1 High Tier
Resolution	4MP (2560 × 1440), 3MP (2304 × 1296), 1080P (1920 × 1080), 720P (1280 × 720), D1, CIF, 480 × 240
Main Stream	60Hz: 4MP(1~20fps)/3MP(1~30fps)/1080P(1~30fps); 50Hz: 4MP(1~20fps)/3MP(1~25fps)/1080P(1~25fps)
Sub Stream	60Hz: 720P(1~15fps)/D1 (1~30fps)/CIF (1~30fps); 50HZ: 720P(1~12fps)/D1(1~25fps)/CIF (1~25fps);
Bit Rate	64 Kbps ~ 5 Mbps
Bit Rate Type	VBR / CBR
Image Settings	ROI, Saturation, Brightness, Hue, Contrast, Wide Dynamic, Sharpness, NR, etc. adjustable through client software or web browser
ROI	Each ROI to be configured separately
Network	RJ45
Video Output	No
Audio	1CH audio input; 1CH built-in MIC
Storage	No
Reset	No
Remote Monitoring	PVMS Plus for Desk Top & Pollo Live Plus for Mobile
Online Connection	Support simultaneous monitoring for up to 4 users; Support multi-stream real time transmission
Network Protocol	UDP, IPv4, IPv6, DHCP, NTP, RTSP, PPPoE, DDNS, SMTP, FTP, 802.1x, UPnP, HTTP, HTTPS, QoS

Interface Protocol	ONVIF
Storage	Network remote storage
Smart Alarm	Motion detection
Intelligent Analytics	Region intrusion detection, video blur detection, scene change detection, line crossing detection
General Function	Watermark, IP address filtering, video mask, heartbeat, illegal login lock
PoE	Yes, IEEE802.3af
White Light Range	20 ~ 30 m
Ingress Protection	IP67
Power Supply	DC12V/PoE
Power Consumption	< 4W
Operating Environment	- 20 °C ~ 55 °C (-4°F~131°F) Humidity: less than 95 % (non-condensing)
Dimensions (mm)	162.1 × 74.8 × 73.8
Weight (net)	Approx. 0.24KG
Installation	Ceiling mounting; Wall mounting
Certificate	CE, FCC
Environmental Protection	Complies with Directive EU RoHS, WEEE (2012/19/EU), directive 94/62/EC and REACH(EC1907/2006)