

pöllö 
Prime Series

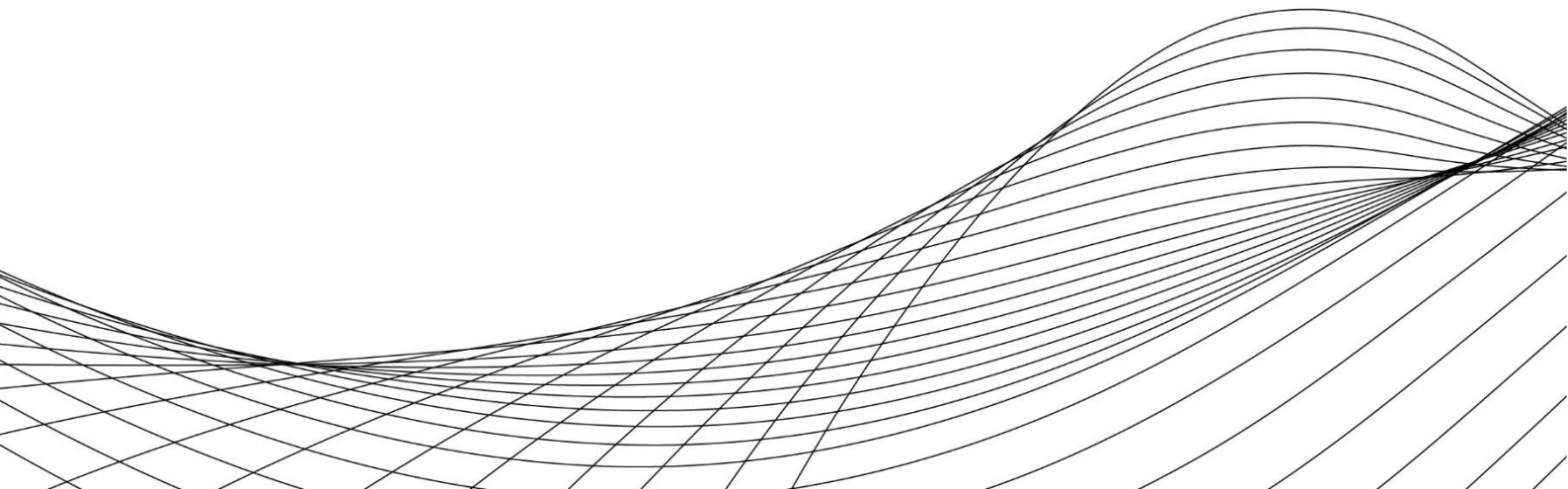
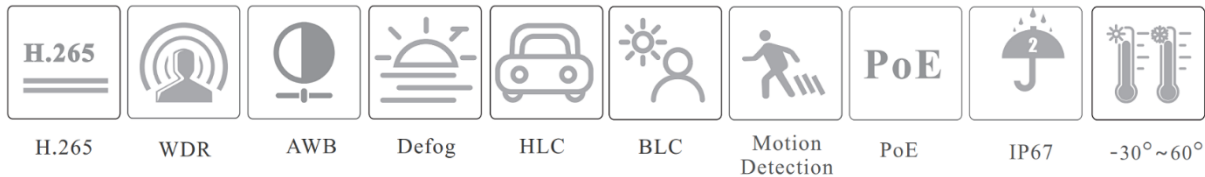


4MP IP CAMERA

PLC-434M-MZ-IR5/PM

www.pollo.net.au

info@pollo.net.au

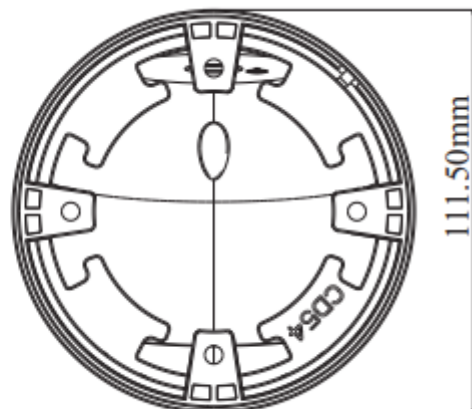
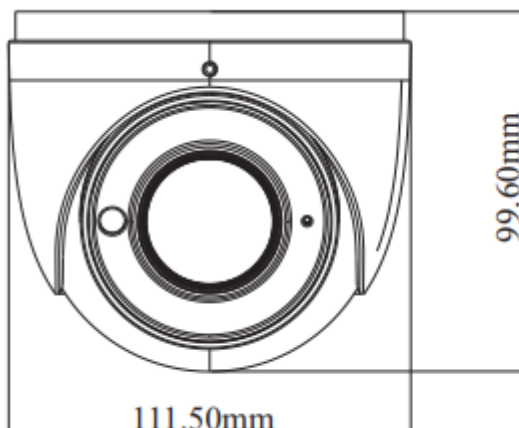


Key Features:

- ✔ H.265/ H.264 coding
- ✔ Max. resolution: 2560 × 1440
- ✔ ICR auto switch, true day / night vision
- ✔ 3D DNR, digital WDR, HLC, BLC, defog
- ✔ ROI coding
- ✔ 30~50m
- ✔ IR night view distance; motorized zoom lens
- ✔ 1CH built-in MIC
- ✔ Built-in micro-SD card slot, up to 128GB
- ✔ DC12V/PoE power supply
- ✔ P2P function optional
- ✔ IP 67 ingress protection
- ✔ Support three streams
- ✔ Support remote monitoring by smart phones& tablet PCs with iOS and Android OS
- ✔ Intelligent analytics: object removal detection, video exception detection, line crossing and intrusion detection



Dimensions:





Specifications:

Model	PLC-434M-MZ-IR5/PM
Image Sensor	1 / 2.7 "CMOS
Image Size	2560×1440
Electronic Shutter	1 s ~ 1 / 100000 s
Iris Type	Fixed Iris
Min. Illumination	0.011 lux @F1.2, AGC ON; 0 lux with IR 0.016 lux @ F1.4, AGC ON; 0 lux with IR
Lens	2.8~12mm@ F1.4, motorized
Field of View	Horizontal: 94 °~35.7 °; Vertical: 62.2 °~20.5 °; Diagonal: 101.7 °~40.6 °
Lens Mount	14
Day & Night	ICR
Wide Dynamic Range	Digital WDR
BLC	Yes
HLC	Yes
Defog	Yes
Digital NR	3D DNR
Angle Adjustment	Pan: 0°~360°; Tilt:0°~80°; Rotation: 0°~360°
Video Compression	H.265 / H.264
H.265 Compression Standard	Main Profile@Leve4.1 High Tier
Resolution	4MP (2560 × 1440), 3MP (2304 × 1296), 1080P (1920 × 1080),720P (1280 × 720), D1, CIF, 480 × 240
Main Stream	60Hz: 4MP/3MP/1080P(1~30fps); 50Hz: 4MP/3MP/1080P (1~25fps)
Sub Stream	60Hz: 720P(1~15fps)/D1(1~30fps)/CIF (1~30fps); 50Hz: 720P(1~12fps)/D1(1~25fps)/CIF (1~25fps);
Third Stream	60Hz: D1/CIF/480×240 (1~30fps); 50Hz: D1/CIF/480×240 (1~25fps)
Bit Rate	64 Kbps ~ 5 Mbps
Bit Rate Type	VBR / CBR
Image Settings	ROI, Saturation, Brightness, Hue, Contrast, Wide Dynamic, Sharpness, NR, etc. adjustable through client software or web browser
ROI	Each ROI to be configured separately
Network	RJ45
Video Output	No
Audio	1CH Built-in MIC
Storage	Built-in micro-SD card slot, up to 128GB
Reset	Yes
Remote Monitoring	Web browsing, CMS remote control
Online Connection	Support simultaneous monitoring for up to 4 users; Support multi-stream real time transmission

Network Protocol	UDP, IPv4, IPv6, DHCP, NTP, RTSP, PPPoE, DDNS, SMTP, FTP, 802.1x, UPnP, HTTP, HTTPS, QoS
Interface Protocol	ONVIF
Storage	Network remote storage; micro-SD card storage
Smart Alarm	Motion detection, SD card full, SD card error
Smart Events	Object removal (object left/missing detection), scene change and video blur detection, intrusion and line crossing
General Function	Watermark, IP address filtering, video mask, heartbeat, illegal login lock
PoE	Yes
IR Distance	30 ~ 50 m
Ingress Protection	IP67
Power Supply	DC12V/PoE
Power Consumption	<9W
Operating Environment	- 30 °C ~ 60 °C (-22°F~140°F) Humidity: less than 95 % (non-condensing)
Dimensions (mm)	Ø 111.5 × 99.6
Weight (net)	Approx. 0.65KG
Installation	Ceiling mounting; Wall mounting
Certificate	CE, FCC
Environmental Protection	Complies with Directive EU RoHS, WEEE (2012/19/EU), directive 94/62/EC and REACH(EC1907/2006)